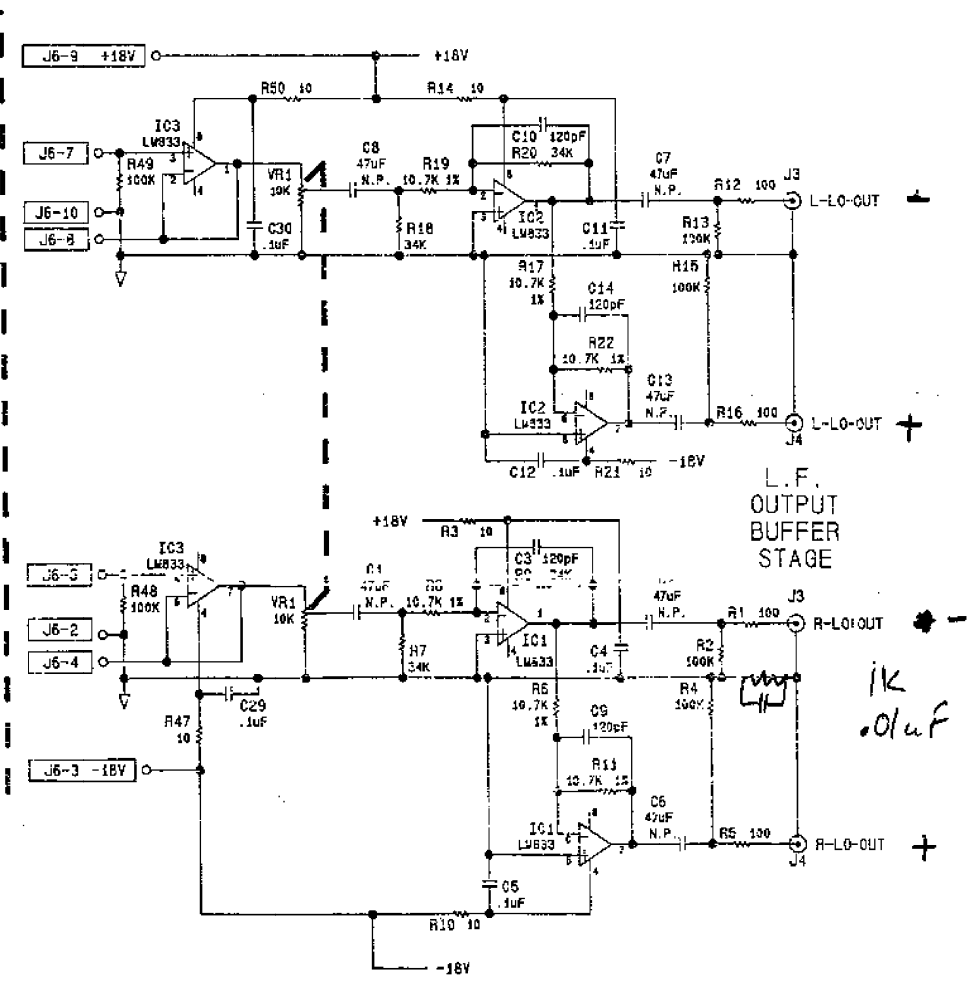
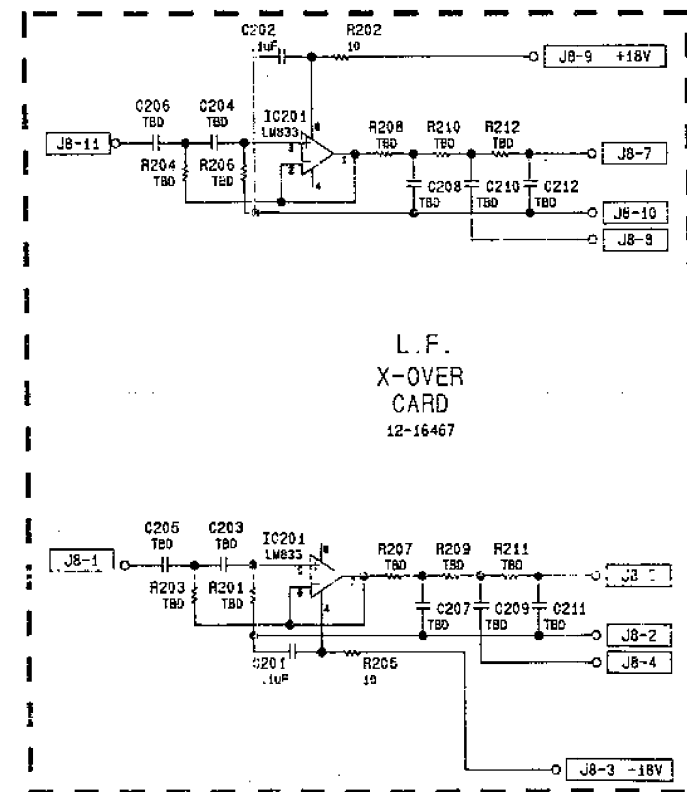


BACK
 BACK/WHT - BLK
 1 1
 110V
 BRN - BLK/WHT



120V - PARALLEL
 240V - SERIES
 BACK
 1 - BLK
 BRN - BLK/WHT
 1 - BRN/WHT
 FRONT
 220V

1K
 0.01uF
 SCREW
 GROUND AS
 SPEC

RECEIVED
 FEB 06 1951
 H.E. DOC. CONTROL

ENGINEERING
 FILE COPY
 DO NOT REMOVE
 THIS LABEL

- ALL NON - POLARIZED (N.P.) CAPACITORS ARE 50V RATED.
 - NOT SHOWN: JUMPERS 101 - 104, 201, 202; ALL ARE INSULATED WIRE, 22AWG.
 - NOT SHOWN: JUMPERS 1 - 24; ALL ARE 0 - OHM, 1/4W SIZE RESISTORS.
 - ALL CAPACITOR VALUES ARE IN MICRO-FARADS.
 - ALL RESISTOR VALUES ARE IN OHMS.
 - ALL RESISTORS ARE 1/4W, 5% TOL.
- NOTES: UNLESS OTHERWISE SPECIFIED

APPROVAL	DATE	harman electronics A Harman International Company Northridge, CA 91329, U.S.A.	
DRAWN J. BRATT	12-28-90	TITLE	
CHECKED		SCHEMATIC, DX-1	
MANUFACTURING		SIZE D	FIG. NO. 05-170
PRODUCT ASSURANCE		SCALE	SHEET
ENGINEERING			